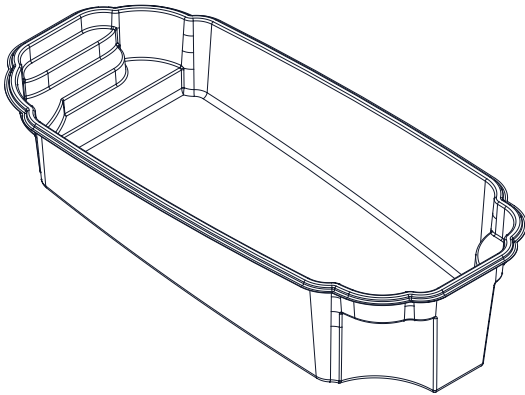


ROSEWAY

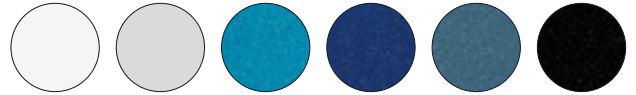
10' x 24'

DOLPHIN

COLLECTION



Available colors



ROSEWAY MODEL

DIMENSIONS	10' x 24'
DEPTH	5' 6"
WEIGHT EMPTY POOL	1 000 lbs · 454 kg
INTERIOR VOLUME	710.79 ft ³ · 20.13 m ³
WATER VOLUME	20 127 L · 5 317 gal

